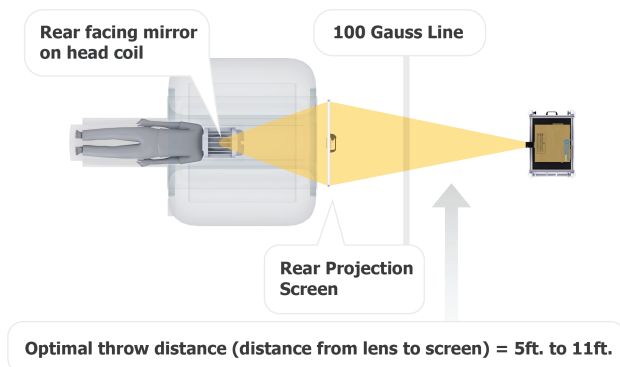
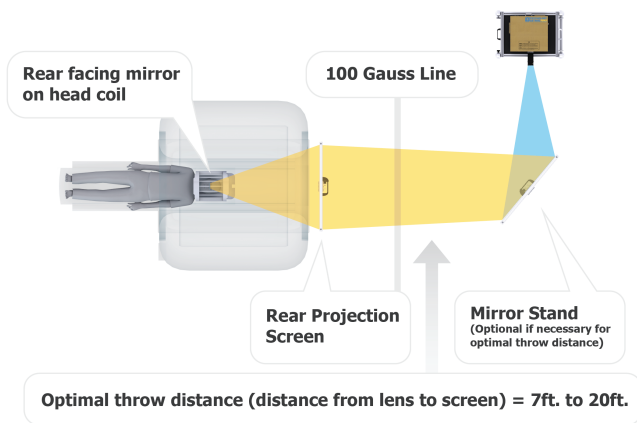


Hyperion

Flexible, precise, and reliable MRI Digital Projection System



Features:

- Digital Light Processing® projector with microsecond pixel rise times
- High resolution 1920 x 1080 and high contrast (2500:1) black to white ratio
- Customized lens provides crystal clear images with zoom and focus adjustments
- Output frame rate synchronizes to a 60Hz video input
- Designed for extreme use; 24 hour 7 day continuous operation
- 16:9 Widescreen format (standard 4:3 available)
- RF shielded enclosure with fiber optic data input eliminates scanner interference
- Continuous fan operation ensures adequate cooling device reliability
- DVI to fiber optic cabling allows projector to be 30 meters from the control room
- Control Room Console allows for duplicate participant display on a control room monitor
- High resolution rear projection screen makes 6 point text clear

Includes:

- High resolution DLP projector with RF filtered enclosure
- Custom lens assembly
- Control Room Console for device status, DVI splitter, and remote power
- 30 meter fiber optic cable

Accessories:

- MRI Vision Correction Lenses
- Heavy duty, MRI-compatible projector stand
- High resolution, lenticular pitch rear projection screen and MRI-compatible stand
- Heavy duty, MRI-compatible mirror stand and optical grade front surface mirror