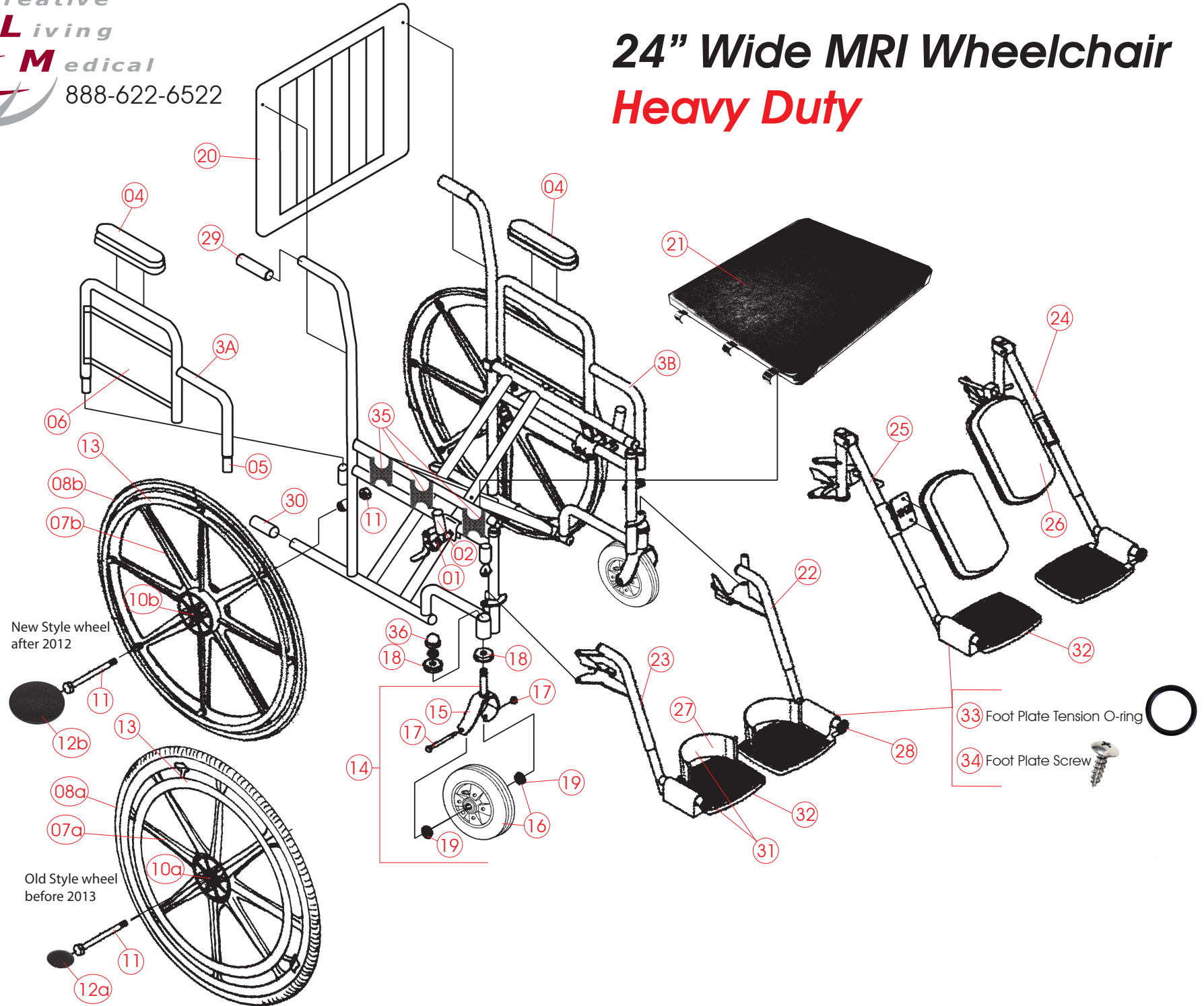


24" Wide MRI Wheelchair Heavy Duty





WCM2425SD27 / WCM2475SD27/ WCM2425SD50 / WCM2475SD50 24" Wide MRI Wheelchair **Heavy Duty**

01	Brake Complete (Left Side) Brake Complete (Right Side) <i>(Determine left or right side when sitting in chair)</i>	BR8006L-01 BR8006R-01	17	Axle and Nut for 8" Wheel	HW6108X-01
02	Rubber Tip for Brake	BR8007X-01	18	Bearing for Fork Stem	BE2019X-01
3A	Detachable Right Side Desk Length Arm, Complete with skirt guard, armrest & button lock Specify Color: 10-Burgundy, 50-Green	AR2323R-01-CL	19	Bearing for 8" Wheel	BE1017X-01
3B	Detachable Left Side Desk Length Arm, Complete with skirt guard, armrest & button lock Specify Color: 10-Burgundy, 50-Green	AR2323L-01-CL	20	Upholstery Back, Burgundy Upholstery Back, Green	UP1318X-01-22 UP1318X-01-50
04	Desk Length Armrest, Burgundy Desk Length Armrest, Green	AR2204X-01-22 AR2204X-01-50	21	Upholstery Solid Seat, Burgundy Upholstery Solid Seat, Green	UP0810X-01-22 UP0810X-01-50
05	Button Lock	AR9011X-01	22	Footrest Complete, Left Side	FR3107L-01
06	Skirt Guard, 6" Tall x 13 1/4" Long	AR3048X-01	23	Footrest Complete, Right Side <i>(Determine left or right side when sitting in chair)</i>	FR3107R-01
07a	Old Style 24" Wheel Complete with 5/8"-Plastic Bearings Old Style (Replaced with RP-1171)	Disc.	24	Legrest Complete, Left Side Specify Color: 10-Burgundy, 50-Green	LR3107L-01-22
07b	New Style 24" Wheel Complete with 5/8"-Ceramic Bearings New Style with Snap-On Tire	WH1238X-01	25	Legrest Complete, Right Side Specify Color: 10-Burgundy, 50-Green <i>(Determine left or right side when sitting in chair)</i>	LR3107L-01-50
08a	Old Style Semi-Pneumatic Tire, 24" x 1 3/8" for chairs before 2013	WH1233X-01	26	Claf Pad for Legrest, Burgundy Claf Pad for Legrest, Green	LR3108X-01 LR3109X-01
08b	New Style Snap-On DTM Tire, 24" for chairs after 2012	WH1232X-01	27	Heel Loop with Hardware, Left Side Heel Loop with Hardware, Right Side <i>(Determine left or right side when sitting in chair)</i>	AC1518L-01 AC1518R-01
10a	White Nylon 5/8" Bearing for 24" Wheel	BE1015X-01	28	Roller Bumper Bumper	CA8004X-01 CA8016X-01
10b	Upgrade to Ceramic Ball Bearing, 5/8" Bearing	AC1510X-01	29	Handle Grip	CA8007X-01
11	Axle and Nut for 24" Wheel	WH6110X-01	30	Kick Tube Cap	CA8006X-01
12a	Old Style Small Hub Cap for 24" Wheel, for chairs before 2013	CA3025X-01	31	Foot Plate for Footrest w/ Heel Loop, Left Side Foot Plate for Footrest w/ Heel Loop, Right Side <i>(Determine left or right side when sitting in chair)</i>	FR3112L-01 FR3112R-01
12b	New Style Large Hub Cap for 24" Wheel, for chairs after 2012	CA3024X-01	32	Foot Plate Only, for Footrest and Legrest Universal Left or Right Side	FR3111X-01
13	Handrim Screws and Spacers, Set of 8	HW9213X-01	33	Foot Plate Tension "O" Ring	LR7012X-01
14	8" Fork Assembly <i>(fork, 8" wheel, bearings, axle and nut)</i>	WH3108X-01	34	Foot Plate Screw	LR7013X-01
15	8" Fork with Nut	WH9109X-01	35	Seat Guide (black nylon)	CA3026X-01
16	8" Pneumatic Wheel with Bearings	WH3109X-01	36	Journal Cap for Fork Stem Housing	CA3028X-01
				Replacement Safety Belt, for 24" Wide Chairs	AC1511X-01