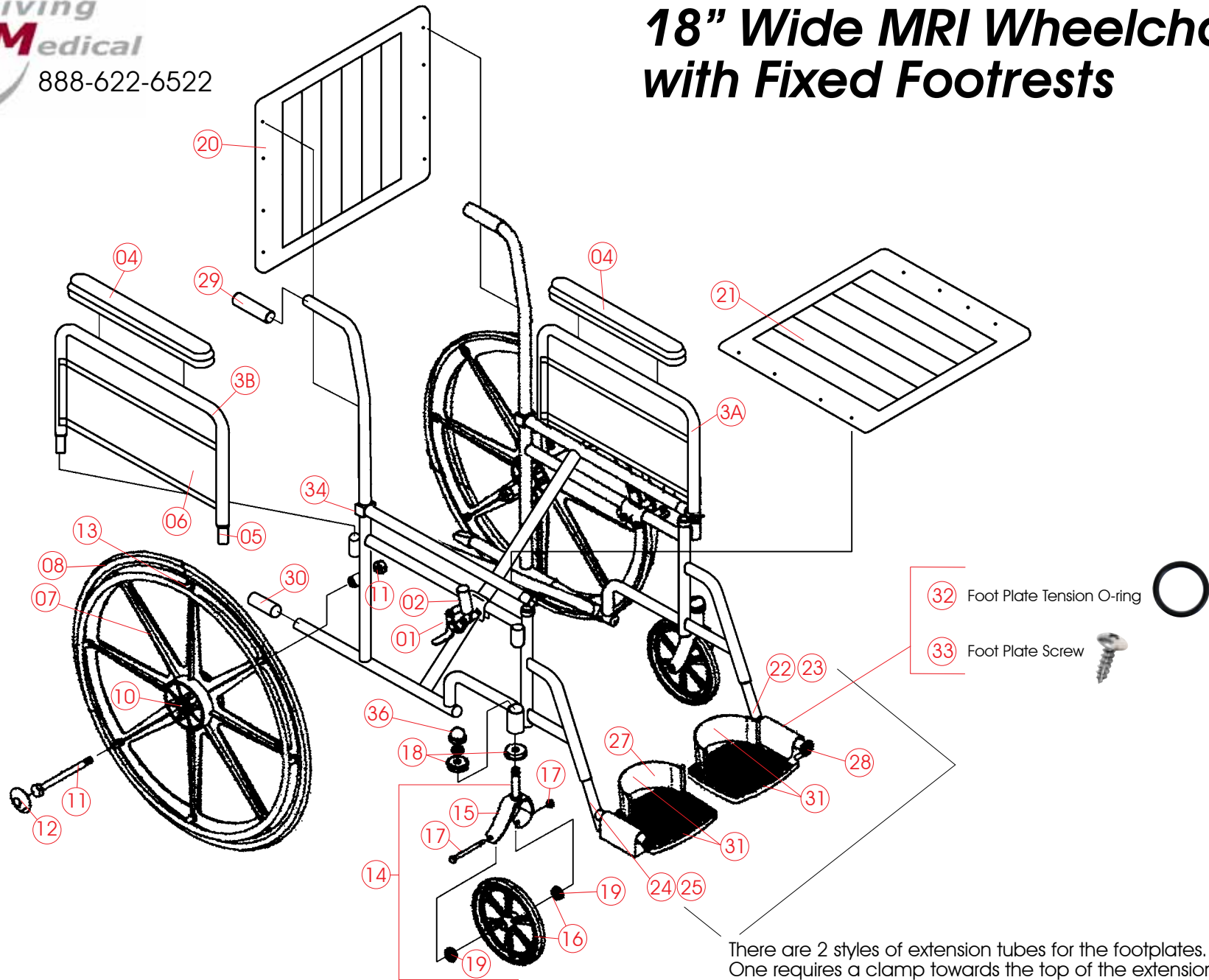


WCM1825FF27 / WCM1825FF50 18" Wide MRI Wheelchair with Fixed Footrests



There are 2 styles of extension tubes for the footplates. One requires a clamp towards the top of the extension tube. The other has a draw bolt which is tightened at the bottom of the extension tube.



888-622-6522

WCM1825FF27 / WCM1825FF50 18" Wide MRI Wheelchair with Fixed Footrests

01	Brake Complete (Left Side) Brake Complete (Right Side) (Determine left or right side when sitting in chair)	BR8006L-01 BR8006R-01	20	Upholstery Back, Burgundy Upholstery Back, Green Upholstery Back, Dark Blue	UP1310X-01-22 UP1310X-01-50 UP1310X-01-02
02	Rubber Tip for Brake	BR8007X-01	21	Upholstery Seat, Burgundy Upholstery Seat, Green Upholstery Seat, Dark Blue	UP0310X-01-22 UP0310X-01-50 UP0310X-01-02
3A	Detachable Left Side Full Length Arm, Complete with skirt guard, armrest, & button lock Specify Color: 10-Burgundy, 50-Green or 60-Dark Blue	AR2605L-01-CL	<p>There are 2 styles of extension tubes for the footplates. One requires a clamp towards the top of the extension tube. The other has a draw bolt which is tightened at the bottom of the extension tube. (Determine left or right side when sitting in chair)</p>		
3B	Detachable Right Side Full Length Arm, Complete with skirt guard & button lock Specify Color: 10-Burgundy, 50-Green or 60-Dark Blue	AR2605R-01-CL	22	Foot Plate and Extension Tube, Clamping, Left Side (complete with heel loop and roller bumper)	FR8808L-01
04	Full Length Armrest, Burgundy Full Length Armrest, Green Full Length Armrest, Dark Blue	AR1204X-01-22 AR1204X-01-50 AR1204X-01-02	23	Foot Plate and Extension Tube, Draw Bolt, Left Side (complete with heel loop and roller bumper)	FR8807L-01
05	Button Lock	AR9011X-01	24	Foot Plate and Extension Tube, Clamping, Right Side (complete with heel loop and roller bumper)	FR8808R-01
06	Skirt Guard, 6" Tall x 19 1/4" Long	AR3049X-01	25	Foot Plate and Extension Tube, Draw Bolt, Right Side (complete with heel loop and roller bumper)	FR8807R-01
07	24" Wheel complete with 7/16"-Bearings	WH1224X-01	27	Heel Loop with Hardware	AC1506X-01
08	Snap-On-Tire	WH1232X-01	28	Bumper	CA8016X-01
10	7/16" Bearing for 24" Wheel	BE1014X-01	29	Handle Grip	CA8007X-01
11	Axle and Nut for 24" Wheel	WH6109X-01	30	Kick Tube Cap	CA8006X-01
12	Hub Cap for 24" Wheel	CA3024X-01	31	Foot Plate for Footrest w/ Heel Loop, Left Side Foot Plate for Footrest w/ Heel Loop, Right Side (Determine left or right side when sitting in chair)	FR3109L-01 FR3109R-01
13	Handrim Screws and Spacers, Set of 8	HW9213X-01	32	Foot Plate Tension "O" Ring	LR7012X-01
14	8" Fork Assembly (fork, 8" wheel, bearings, axle and nut)	WH3106X-01	33	Foot Plate Screw	LR7013X-01
15	8" Fork with Nut	WH9109X-01	34	Rail Glide (white Nylon)	CA3029X-01
16	8" Wheel with Bearings	WH3107X-01	36	Journal Cap for Fork Stem Housing	CA3028X-01
17	Axle and Nut for 8" Wheel	HW6108X-01		Replacement Safety Belt	AC1514X-01
18	Bearing for Fork Stem	BE2019X-01			
19	Bearing for 8" Wheel	BE1012X-01			