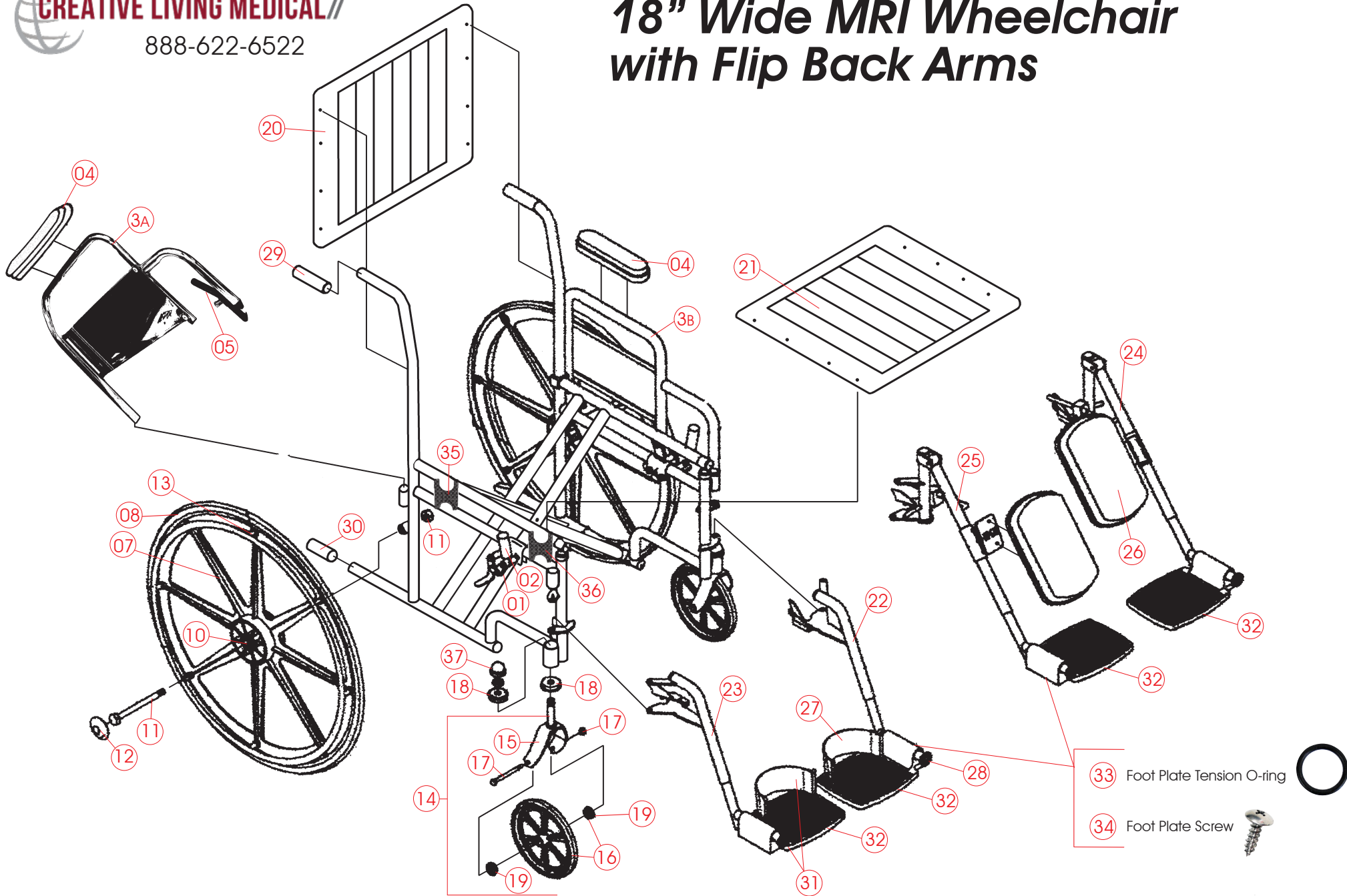


WCM1827SD27 / WCM1877SD27 / WCM1827SD50 / WCM1877SD50



18" Wide MRI Wheelchair with Flip Back Arms





888-622-6522

18" Wide MRI Wheelchair with Flip Back Arms

01	Brake Complete (Left Side) Brake Complete (Right Side) (Determine left or right side when sitting in chair)	BR8006L-01 BR8006R-01	19	Bearing for 8" Wheel	BE1012X-01
02	Rubber Tip for Brake	BR8007X-01	20	Upholstery Back, Burgundy Upholstery Back, Green	UP1310X-01-22 UP1310X-01-50
3A	Flip Back Right Side Desk Length Arm, Complete with skirt guard, armrest & release lever 22-Burgundy, 50-Green	AR2604R-01-CL	21	Upholstery Seat, Burgundy Upholstery Seat, Green	UP0310X-01-22 UP0310X-01-50
3B	Flip Back Left Side Desk Length Arm, Complete with skirt guard, armrest & release lever 22-Burgundy, 50-Green (Determine left or right side when sitting in chair)	AR2604L-01-CL	22	Footrest Complete, Left Side	FR3104L-01
04	Desk Length Armrest, 22-Burgundy, 50-Green	AR2204X-01-CL	23	Footrest Complete, Right Side (Determine left or right side when sitting in chair)	FR3104R-01
05	Release Lever	CA8008X-01	24	Legrest Complete, Left Side	LR3104L-01-CL
06	Skirt Guard	AR3052X-01	25	Legrest Complete, Right Side (Determine left or right side when sitting in chair)	LR3104R-01-CL
07	24" Wheel complete with 7/16"-Bearings	WH1224X-01	26	Claf Pad for Legrest, Burgundy Claf Pad for Legrest, Green	LR3108X-01 LR3109X-01
08	Snap-On-Tire	WH1232X-01	27	Heel Loop with Hardware	AC1506X-01
10	7/16" Bearing for 24" Wheel	BE1014X-01	28	Bumper	CA8016X-01
11	Axle and Nut for 24" Wheel	WH6109X-01	29	Handle Grip	CA8007X-01
12	Hub Cap for 24" Wheel	CA3024X-01	30	Kick Tube Cap	CA8006X-01
13	Handrim Screws and Spacers, Set of 8	HW9213X-01	31	Foot Plate for Footrest w/ Heel Loop, Left Side Foot Plate for Footrest w/ Heel Loop, Right Side (Determine left or right side when sitting in chair)	FR3109L-01 FR3109R-01
14	8" Fork Assembly (fork, 8" wheel, bearings, axle and nut)	WH3106X-01	32	Foot Plate Only, for Footrest and Legrest Universal Left or Right Side	FR3108X-01
15	8" Fork with Nut	WH9109X-01	33	Foot Plate Tension "O" Ring	LR7012X-01
16	8" Wheel with Bearings	WH3107X-01	34	Foot Plate Screw	LR7013X-01
17	Axle and Nut for 8" Wheel	HW6108X-01	35	Seat Guide Rear (black nylon)	CA3026X-01
18	Bearing for Fork Stem	BE2019X-01	36	Seat Guide Front with Arm Socket (black nylon) Left Seat Guide Front with Arm Socket (black nylon) Right (Determine left or right side when sitting in chair)	CA3027L-01 CA3027R-01
	Replacement Safety Belt 18" Wide Chairs	AC1514X-01	37	Journal Cap for Fork Stem Housing	CA3028X-01