

PH-24

Myocardial SPECT Phantom HL

Instruction Manual

Contents

Specifications	P.1
Caution	P.1
Set Includes	P.2
Volume and Weight	back cover



Please read

- Specifications
- Caution

Myocardial SPECT Phantom HL is a phantom to reproduce myocardial SPECT images with interference high liver uptake of RI.

Cold defect can be inserted in the left myocardium.

Background can be set individually to the liver, lungs, mediastinum and right ventricle.

Specifications

Dimension: 320 x 220 x 308 mm

Thickness of Heart and Liver container: 3 mm

Thickness of Mediastinum: 5 mm

Thickness of Trunk container: 10 mm

Weight: 7.1 kg

Material: Main Container: Acrylic Resin

Spine: Epoxy Resin (similar to human in HU)

Heart: Acrylic Resin, Acrylic resin

Lung: Foamed Resin, Water

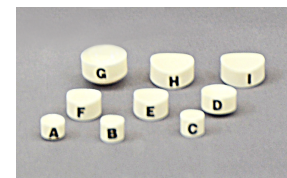
Screw: Polyacetal Resin

Distance between the heart and liver container is adjustable within 7cm.

Defects (A-I) made of rigid polyurethane resin can be attached on any parts of the heart by double sided tape.

Defects are made of rigid polyurethane resin

	10 mm diameter	15 mm diameter	20 mm diameter
Volume	A 0.5	D 1.2	G 2.1
	B 0.6	E 1.4	H 2.3
	C 0.6	F 1.4	I 2.3



(Unit: ml)

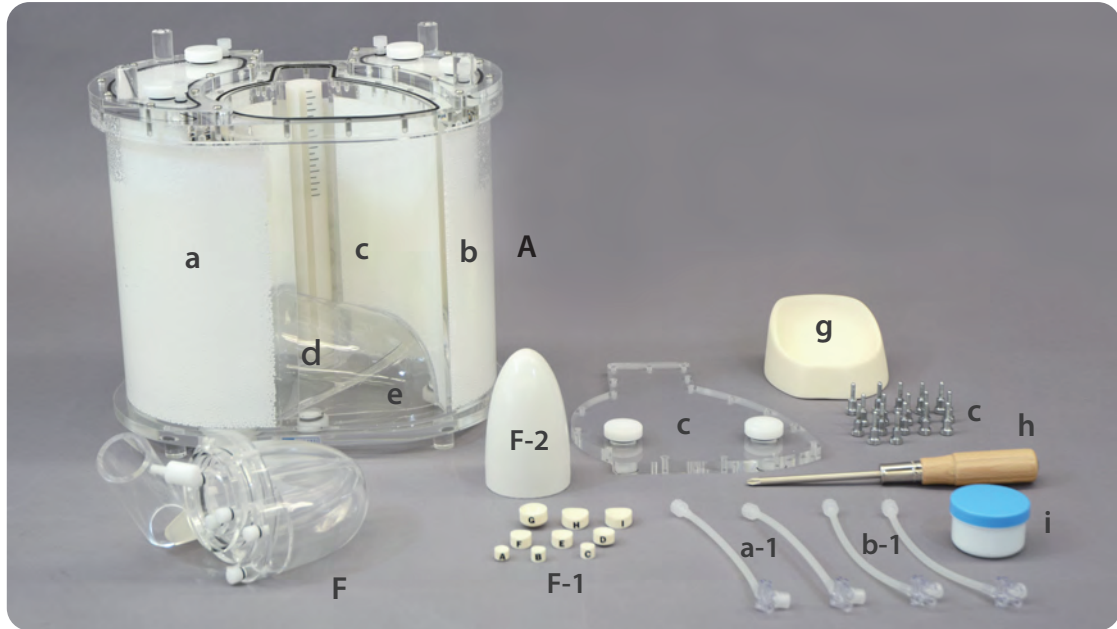
-Defect made of silicon resin can be cut in any size to use with. (Specific Gravity: 1.2)

Caution

1. Attach the heart into the trunk carefully. Hold the adjuster screw in place while sliding the heart down the spine. Heart is fragile. Do not drop and use with caution.
2. Do not turn the plastic screws too tight.
Turn every screw gradually to press on the rubber ring evenly when covering the trunk container.
3. When water is leaking, apply Vaseline on the ring slightly and turn the screw evenly gradually.
4. When moving the phantom, remove the heart from the trunk, for the joints are fragile.
Wrap the heart in a protective material, then gently place it back into the trunk.

Set Includes

Before your first use, please ensure that you have all components listed below.



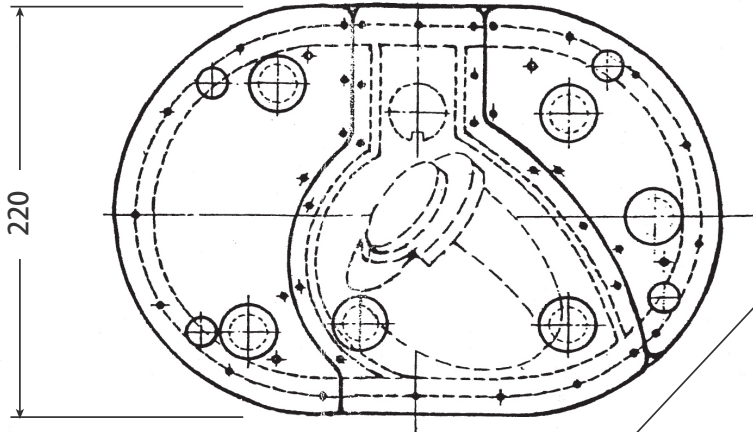
Parts	Part name	QTY
A	Main Phantom Body One structure of right and left lung, mediastinum, liver, stomach	1
a	Right Lung	
	Cover	1
	Rubber packing	1
	Screw bolt for cover M4	11
	Screw stopper M20	2
	a-1 Tube with three-way tap	2
	Foaming ball	
b	Left Lung	
	Cover	1
	Rubber packing	1
	Screw bolt for cover M4	9
	Screw stopper M20	2
	b-1 Tube with three-way tap	2
	Foaming ball	
c	Mediastinum	
	Spinal colum	1
	Cover	1
	Rubber packing	1
	Screw bolt with knob for cover M4	17
	Screw stopper M20	2
d	Liver	
	Screw stopper M20	1
	Screw stopper M40	1

Parts	Part name	QTY
e	Stomach	
	Screw stopper M20	2
F	Heart	
	Main part (One structure of right ventricle and left myocardium)	1
	Cover (left myocardium)	1
	Screw stopper for ventricle and myocardium	6
	Rubber packing	1
	Screwbolt made by resin M5	6
	Bace for let the heart go up and down	1
	Fixation screw for heart top and bottom position	1
	F-1 Defects made of rigid polyurethane resin 10.15.20mm diameter	3/ea
	F-2 Defect made of Silicon resin *Cut for any size and use it	1
g	The work bace for liquid injection into the myocardium	1
h	Plus head screwdriver	1
i	Vaseline	1
	Spare screwbolt Screwbolt made by resi M5	3
	Screw bolt with knob for cover M4	2
	Foaming ball	

Volume and Weight

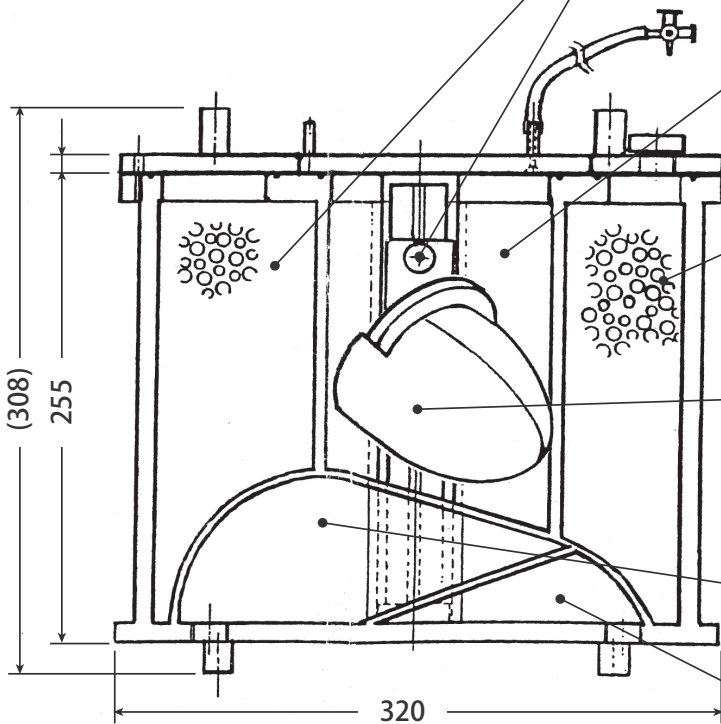
Serial NO.	
------------	--

The phantom is delivered with actual volume and weight for each part.



Right Lung:	
Volume	mL
Foaming Ball	g
Water	g
(Specific Gravity: approx)	

Fixation screw for heart top and bottom position
(Approx 7cm can go up and down)



Mediastinum: Volume	
The state that set in the heart	mL
The state without the heart	mL

Left Lung:	
Volume	mL
Foaming Ball	g
Water	g
(Specific Gravity: approx)	

Heart: Volume of each part	
Left Mediastinum	mL
Left Ventricle	mL
Right Ventricle	mL
* Included air collection department	

Liver:	
Volume	mL

Stomach (The others internal organs part):	
Volume	mL